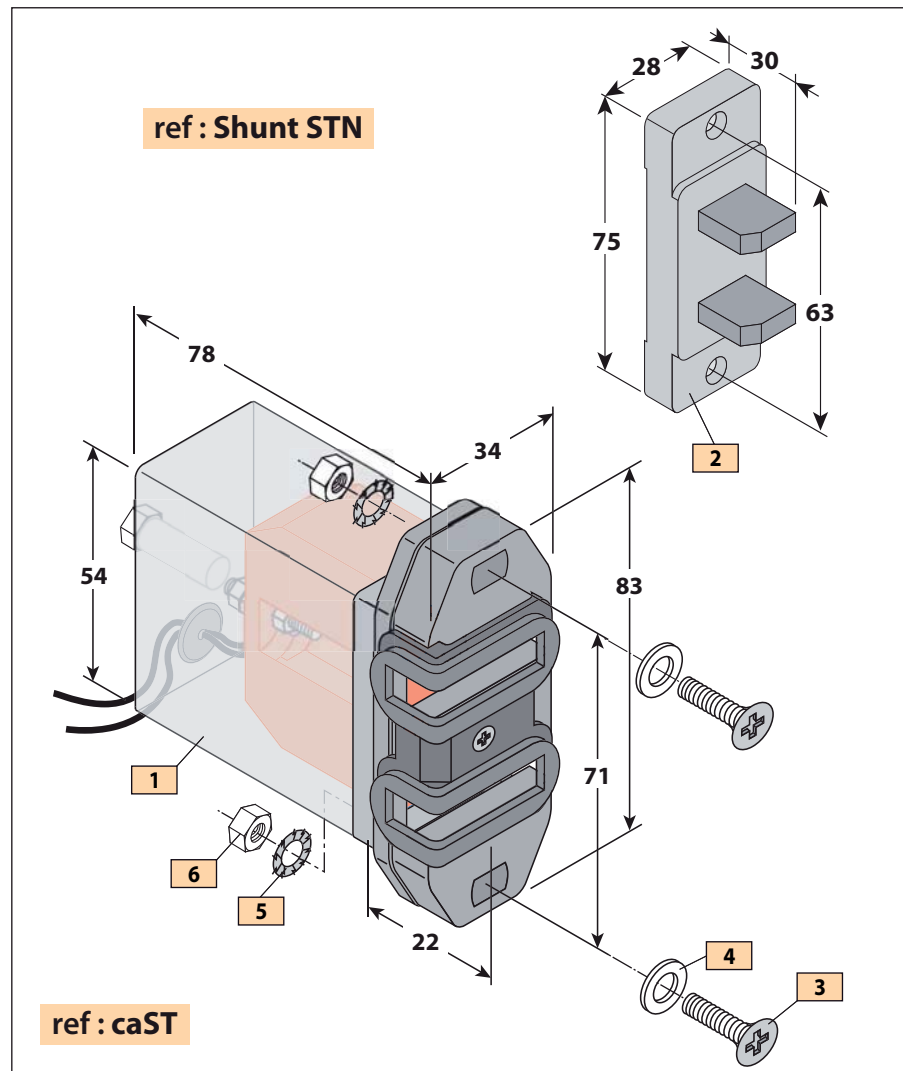
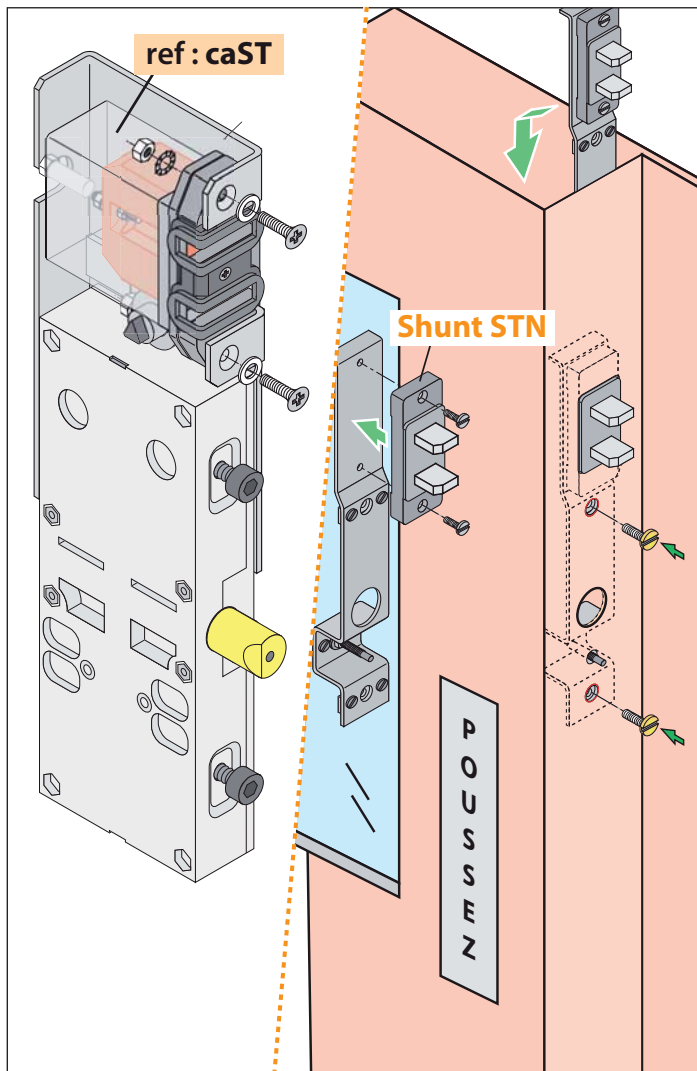


SEE SET [STN]



Composition of the product :

Rep.	Qty.	Designation
1	1	Draw contact

Composition of the product :

Rep.	Qty.	Designation
2	1	Shunt STN

Composition of the product :

Rep.	Qty.	Designation
3	2	Screw TFC M6x30
4	2	Washer M5
5	2	Washer range M5
6	2	Nut M5